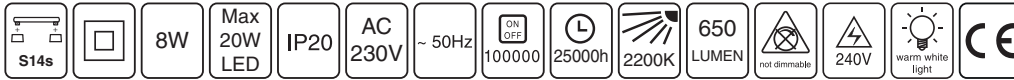
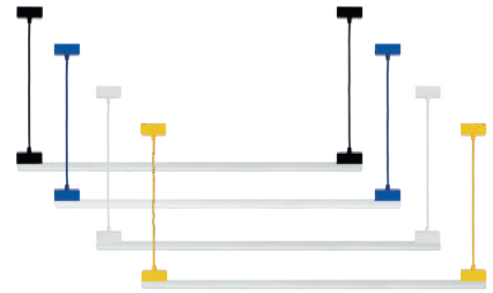


technical drawings

bruno.b	5415249077617
bruno.w	5415249077631
bruno.bl	5415249077624
bruno.y	5415249077648

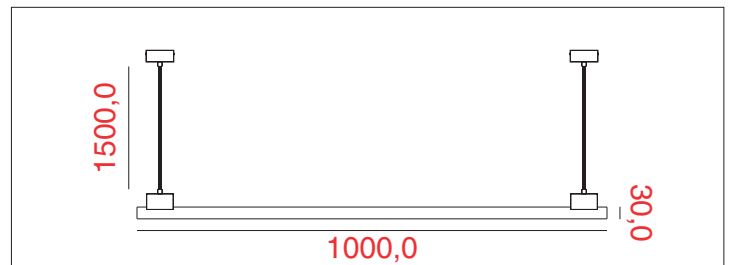


Specifications

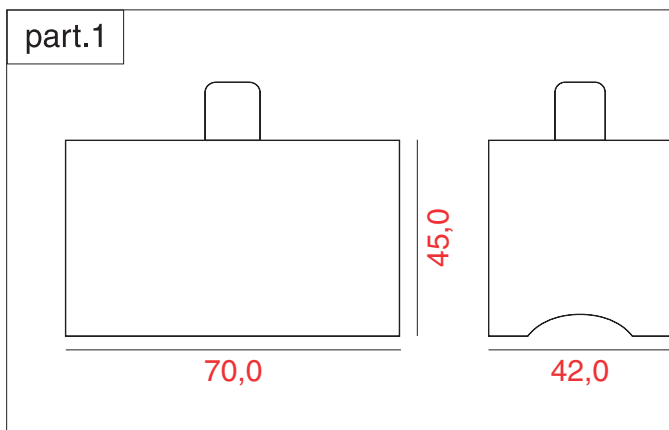
Material	Metal
Installation	Ceiling
Lamp holder type	S14s
Wattage	8W
Voltage	230 V
Frequency	~ 50 Hz
Protection marking	IP20
Safety class	Class 2
Origin	Europe - Non Europe

Technical information

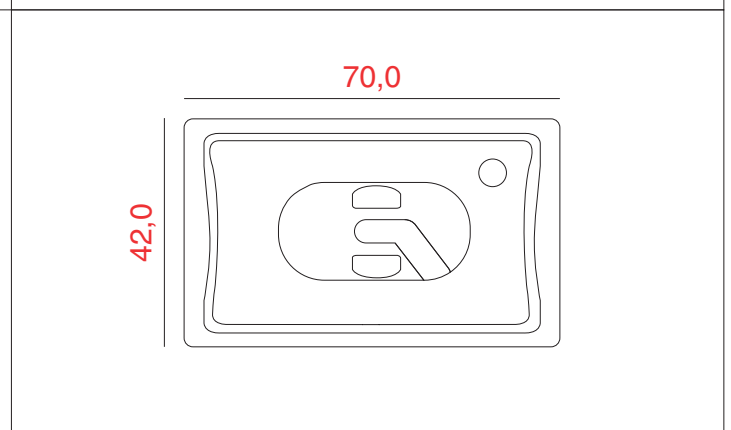
- This lampholder is not suitable for outdoor use or wet area.
- Distance between the two fixation points: 885 mm



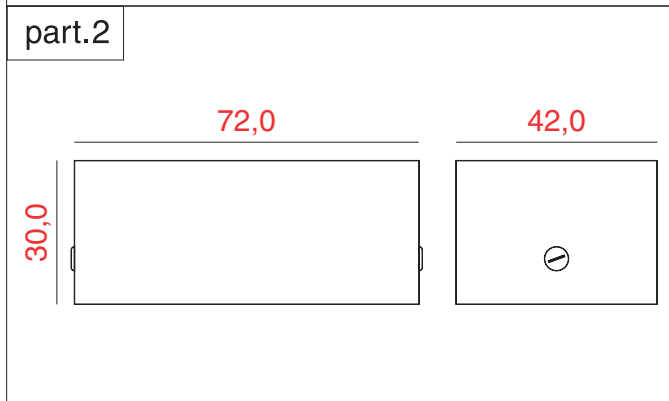
Complete lamp



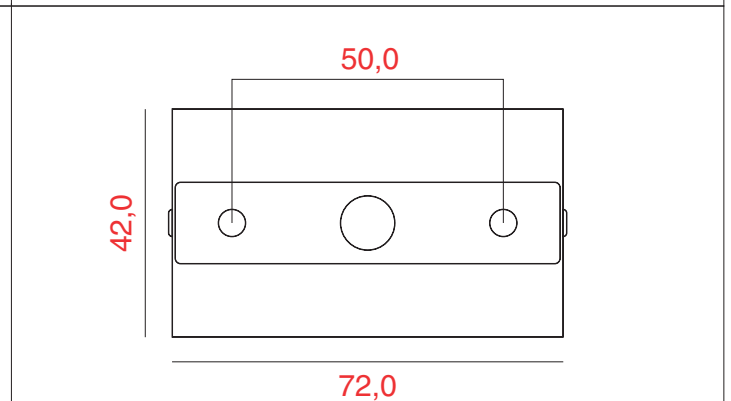
Profile view



View from inside



Profile view



Top view